

DS-7604NI-K1 NVR



Features and Functions

Professional and Reliable

- Dual-OS design to ensure high reliability of system running
- ANR technology to enhance the storage reliability when the network is disconnected

HD Input

- H.265/H.264/H.264+ video formats
- Connectable to the third-party network cameras
- 4 IP cameras can be connected
- Recording at up to 8 MP resolution
- Supports live view, storage, and playback of the connected camera at up to 8 MP resolution

HD Output

- HDMI/VGA outputs provided
- HDMI Video output at up to 4K (3840 × 2160) resolution

HD Storage

- 1 SATA interface connectable for recording and backup
- Storage space effectively saved by 50% to 70% with the use of H.264+ decoding format

HD Transmission

- 1 self-adaptive 10M/100Mbps network interface

Various Applications

- Centralized management of IP cameras, including configuration, information import/export, real-time information display, two-way audio, upgrade, etc.
- Connectable to smart IP cameras from Hikvision and the recording, playing back, and backing up of VCA alarms can be realized
- VCA detection alarm is supported
- Instant playback for assigned channel during multi-channel display mode
- Smart search for the selected area in the video; and smart playback to improve the playback efficiency

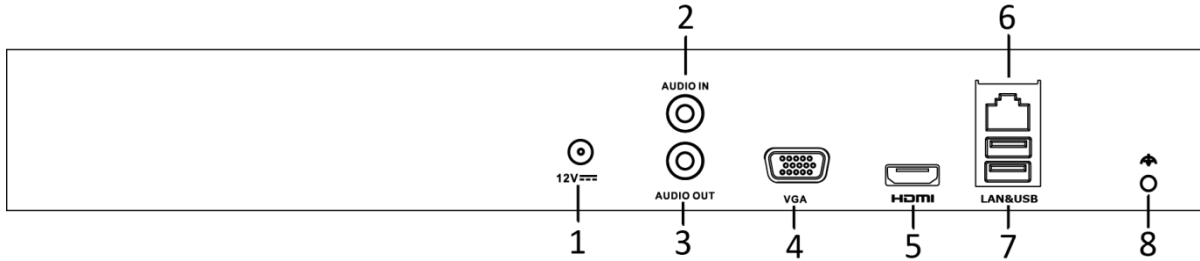


Specifications

Model	DS-7604NI-K1		
Video/ Audio input	IP video input	4-ch	
	Incoming bandwidth	40 Mbps	
	Outgoing bandwidth	80 Mbps	
Video/ Audio output	HDMI/VGA output resolution	HDMI: 4K (3840 × 2160)/30Hz, 1920 × 1080/60Hz, 1600 × 1200/60Hz, 1280 × 1024/60Hz, 1280 × 720/60Hz, 1024 × 768/60Hz	
		VGA: 1920 × 1080/60Hz, 1600 × 1200/60Hz, 1280 × 1024/60Hz, 1280 × 720/60Hz, 1024 × 768/60Hz	
Decoding	Audio output	1-ch, RCA (Linear, 1 KΩ)	
	Decoding format	H.265/H.264/H.264+	
	Recording resolution	8MP/6MP/5MP/4MP/3MP/1080p/UXGA/720p/VGA/4CIF/DCIF/2CIF/CIF/QCIF	
	Synchronous playback	4-ch	
	Capability	4-ch @ 1080p	
	Network management	Network protocols	TCP/IP, DHCP, HIK Cloud P2P, DNS, DDNS, NTP, SADP, SMTP, NFS, iSCSI, UPnP™, HTTPS
	Hard disk	SATA	1 SATA interface for 1HDD
Capacity		Up to 6TB capacity for each disk	
External interface	Two-way audio	1-ch, RCA (2.0 Vp-p, 1kΩ)	
	Network interface	1 RJ-45 10 M/100 Mbps self-adaptive Ethernet interface	
	USB interface	2 × USB 2.0	
	Power supply	12 VDC	
	Consumption (without hard disk)	≤ 10 W	
General	Working temperature	-10 to +55° C (14 to 131° F)	
	Working humidity	10 to 90 %	
	Chassis	260 mm chassis	
	Dimensions (W × D × H)	260 × 225 × 48 mm (10.2" × 8.9" × 1.9")	
	Weight (without hard disk)	≤ 1 kg (2.2 lb)	

Physical Interfaces

DS-7604NI-K1



Index	Description	Index	Description
1	Power Supply	5	HDMI Interface
2	Audio In	6	LAN Network Interface
3	Audio Out	7	USB Interface
4	VGA Interface	8	Ground

Available Models

DS-7604NI-K1

Distributed by



Headquarters

No.555 Qianmo Road, Binjiang District,
Hangzhou 310051, China
T +86-571-8807-5998
overseasbusiness@hikvision.com

Hikvision USA
T +1-909-895-0400
sales.usa@hikvision.com

Hikvision Italy
T +39-0438-6902
info.it@hikvision.com

Hikvision Singapore
T +65-6684-4718
sg@hikvision.com

Hikvision Europe
T +31-23-5542770
saleseuro@hikvision.com

Hikvision France
T +33(0)1-85-330-444
info.fr@hikvision.com

Hikvision Oceania
T +61-2-8599-4233
salesau@hikvision.com

Hikvision Middle East
T +971-4-8816086
salesme@hikvision.com

Hikvision Spain
T +34-91-737-16-55
info.es@hikvision.com

Hikvision Hong Kong
T +852-2151-1761

Hikvision Russia
T +7-495-669-67-99
saleru@hikvision.com

Hikvision Poland
T +48-22-460-01-50
poland@hikvision.com

Hikvision Canada
T +1-909-895-0400
sales.usa@hikvision.com

Hikvision India
T +91-22-28469900
sales@pramahikvision.com

Hikvision UK
T +44-1628-9021-4
support.uk@hikvision.com

DS-2CD2146G1-I(S) 4 MP IR Fixed Dome Network Camera



Key Features

- Max. 2688 × 1520 @ 30fps
- 2.8 mm/4 mm/6 mm fixed lens
- H.265, H.264
- 120dB WDR
- False alarm filter by target classification
- Powered by Darkfighter
- 12 VDC & PoE (802.3af, class 3)
- IR range: Up to 30 m
- Support on-board storage, up to 128 GB
- IP67, IK10
- BLC/3D DNR/ROI
- Color: 0.007 Lux @ (F1.2, AGC ON), 0.012 Lux @ (F1.6, AGC ON)



Specification

Camera	
Image Sensor	1/2.7" Progressive Scan CMOS
Min. Illumination	Color: 0.007 Lux @ (F1.2, AGC ON), 0.012 Lux @ (F1.6, AGC ON)
Shutter Speed	1/3 s to 1/100,000 s
Slow Shutter	Yes
Focal length	2.8/4/6 mm
Focus	Fixed
Aperture	F1.6
FOV	2.8 mm, horizontal FOV: 104°, vertical FOV: 58°, diagonal FOV: 124° 4 mm, horizontal FOV: 83°, vertical FOV: 44°, diagonal FOV: 99° 6 mm, horizontal FOV: 51°, vertical FOV: 28°, diagonal FOV: 58°
Lens Mount	M12
Auto-Iris	No
Day & Night	IR cut filter
DNR	3D DNR
Wide Dynamic Range	120dB
3-Axis Adjustment	Pan: 0° to 355°, tilt: 0° to 75°, rotate: 0° to 355°
IR	
IR Range	Up to 30 m
Wavelength	850 nm
Compression Standard	
Video Compression	Main stream: H.265/H.264 Sub stream: H.265/H.264/MJPEG
H.264 Type	Main Profile/High Profile
H.264+	No
H.265 Type	Main Profile
H.265+	No
Video Bit Rate	32 Kbps to 16 Mbps
SVC	H.265 encoding and H.264 encoding support
Image	
Max. Resolution	2688 × 1520
Main Stream	50Hz: 25 fps (2688 × 1520, 1920 × 1080, 1280 × 720) 60Hz: 30 fps (2688 × 1520, 1920 × 1080, 1280 × 720)
Sub Stream	50Hz: 25 fps (704 × 576, 640 × 480, 352 × 288) 60Hz: 30 fps (704 × 480, 640 × 480, 352 × 240)
Image Enhancement	BLC/3D DNR
Image Settings	Saturation, brightness, contrast, sharpness, AGC, white balance adjustable by client software or web browser
ROI (Region of Interest)	Support 1 fixed region for main stream and sub stream separately
Day/Night Switch	Day/Night/Auto/Schedule/Triggered by Alarm In(-S)
Audio (-S)	
Environment Noise Filtering	Yes
Sampling Rate	8kHz/16kHz
Audio Compression	G.711/G.722.1/G.726/MP2L2/PCM

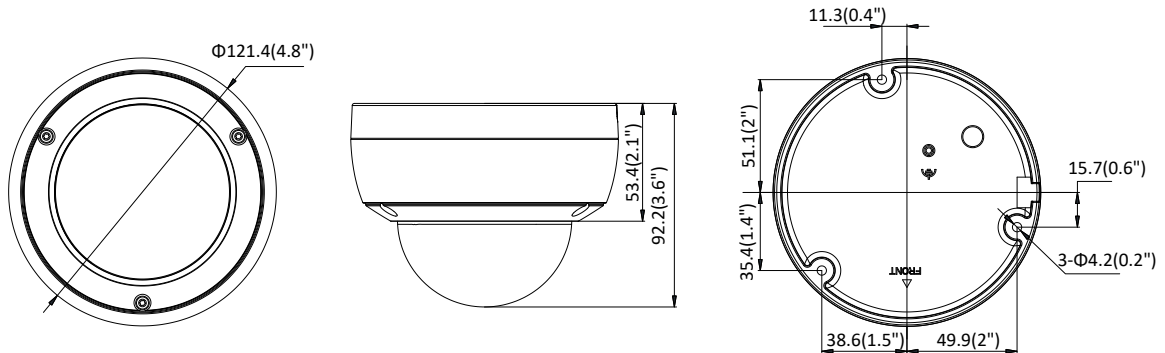
Audio Bit Rate	64Kbps(G.711)/16Kbps(G.722.1)/16Kbps(G.726)/32-160Kbps(MP2L2)
Network	
Network Storage	Support micro SD/SDHC/SDXC card (128G) local storage, NAS (NFS,SMB/CIFS), ANR
Alarm Trigger	Tampering alarm, network disconnected, IP address conflict, illegal login, HDD full, HDD error
Protocols	TCP/IP, ICMP, HTTP, HTTPS, FTP, DHCP, DNS, DDNS, RTP, RTSP, RTCP, PPPoE, NTP, UPnP, SMTP, SNMP, IGMP, 802.1X, QoS, IPv6, UDP, Bonjour
General Function	One-key reset, anti-filter
Firmware Version	V5.5.61
API	ONVIF (PROFILE S, PROFILE G), ISAPI
Simultaneous Live View	Up to 6 channels
User/Host	Up to 32 users 3 levels: Administrator, Operator and User
Client	iVMS-4200, Hik-Connect, iVMS-5200, iVMS-4500
Web Browser	IE8+, Chrome 31.0-44, Firefox 30.0-51, Safari 8.0+
Interface	
Communication Interface	1 RJ45 10M/100M self-adaptive Ethernet port
On-board Storage	Built-in microSD/SDHC/SDXC slot, up to 128 GB
Reset Button	Yes
Audio (-S)	1 audio input (line in/mic in), 1 audio output, mono sound
Alarm (-S)	1 alarm input, 1 alarm output
Smart Feature-set	
Behavior Analysis	Line crossing detection, intrusion detection, region entrance detection, region exit detection, false alarm filter by target classification
General	
Operating Conditions	-30 °C to +50 °C (-22 °F to +122 °F), humidity 95% or less (non-condensing)
Power Supply	12 VDC ± 25%, 5.5 mm coaxial power plug PoE (802.3af, class 3)
Power Consumption	12 VDC, 0.7 A, max: 8.5 W PoE (802.3af, 36 V to 57 V), 0.3 A to 0.2 A, max: 10 W
Protection Level	IK10, IP67 (If the camera is installed outdoor, the bracket DS-1253ZJ-M should be used together with other pendant mounting bracket or wall mounting bracket to reduce IR reflective in the rainy day)
Material	Front cover: metal, back cover: metal
Dimensions	Camera: Φ 121.4 × 92.2 mm (Φ 4.8" × 3.6")
Weight	Camera: 600 g (1.3 lb.) With package: 760 g (1.7 lb.)

Available Model

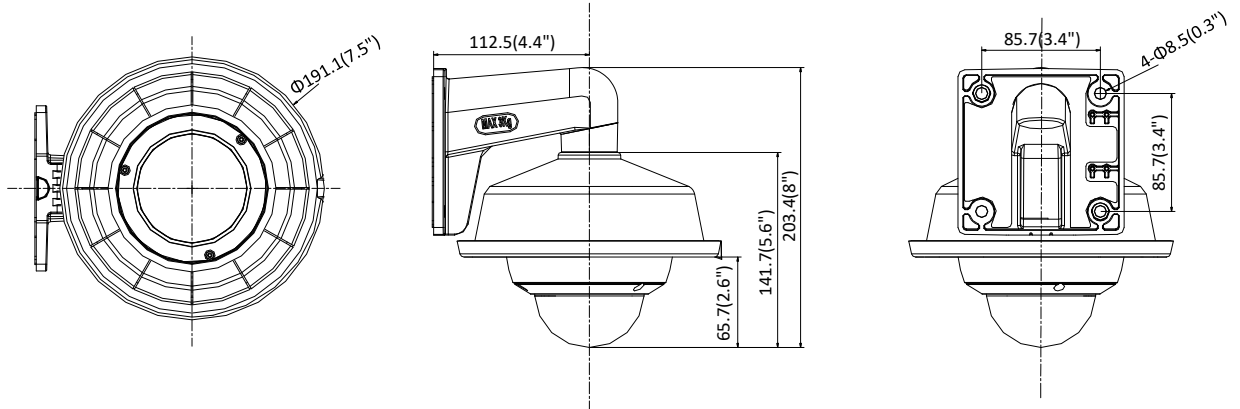
DS-2CD2146G1-I (2.8/4/6 mm), DS-2CD2146G1-IS (2.8/4/6 mm)

Dimension

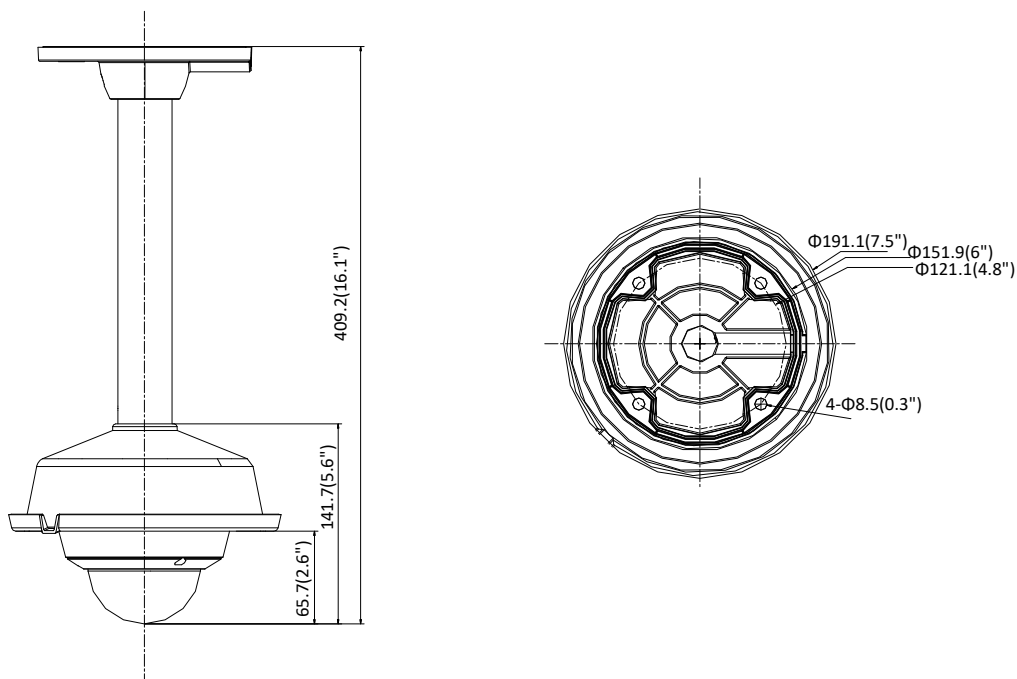
Camera:



Wall Mounting with the Bracket (DS-1272ZJ-120 and DS-1253ZJ-M):



Pendant Mounting with the Bracket (DS-1271ZJ-120 and DS-1253ZJ-M):



Unit: mm(inch)

Accessory



DS-1272ZJ-120
Wall Mount



DS-1272ZJ-120B
Wall Mount



DS-1276ZJ-SUS
Corner Mount



DS-1271ZJ-120
Pendant Mount



DS-1253ZJ-M
Rain Shade

Distributed by



HIKVISION®

Headquarters

No.555 Qianmo Road, Binjiang District,
Hangzhou 310051, China
T +86-571-8807-5998
overseasbusiness@hikvision.com

Hikvision USA
T +1-909-895-0400
sales.usa@hikvision.com

Hikvision Australia
T +61-2-8599-4233
salesau@hikvision.com

Hikvision India
T +91-22-28469900
sales@pramahikvision.com

Hikvision Canada
T +1-866-200-6690
sales.canada@hikvision.com

Hikvision Thailand
T +662-275-9949
sales.thailand@hikvision.com

Hikvision Europe
T +31-23-5542770
sales.eu@hikvision.com

Hikvision Italy
T +39-0438-6902
info.it@hikvision.com

Hikvision Brazil
T +55 11 3318-0050
Latam.support@hikvision.com

Hikvision Turkey
T +90 [216]521 7070- 7074
sales.tr@hikvision.com

Hikvision Malaysia
T +601-7652-2413
sales.my@hikvision.com

Hikvision UK & Ireland
T +01628-902140
sales.uk@hikvision.com

Hikvision South Africa
Tel: +27 (10) 0351172
sale.africa@hikvision.com

Hikvision France
T +33(0)1-85-330-450
info.fr@hikvision.com

Hikvision Kazakhstan
T +7-727-9730667
nikia.panfilov@hikvision.ru

Hikvision Vietnam
T +84-974270888
sales.vt@hikvision.com

Hikvision UAE
T +971-4-4432090
salesme@hikvision.com

Hikvision Singapore
T +65-6684-4718
sg@hikvision.com

Hikvision Spain
T +34-91-737-16-55
info.es@hikvision.com

Hikvision Tashkent
T +99-87-1238-9438
uzb@hikvision.ru

Hikvision Hong Kong
T +852-2151-1761
info.hk@hikvision.com

Hikvision Russia
T +7-495-669-67-99
sateru@hikvision.com

Hikvision Korea
T +82-[0]31-731-8817
sales.korea@hikvision.com

Hikvision Poland
T +48-22-460-01-50
info.pl@hikvision.com

Hikvision Indonesia
T +62-21-2933759
Sales.Indonesia@hikvision.com

Hikvision Colombia
sales.colombia@hikvision.com

05056120181029